

Trailer, Special Use & Crawler Cranes

The Latest Pick & Carry

TMC 060 Tracked Pick & Carry Crane [580kg]

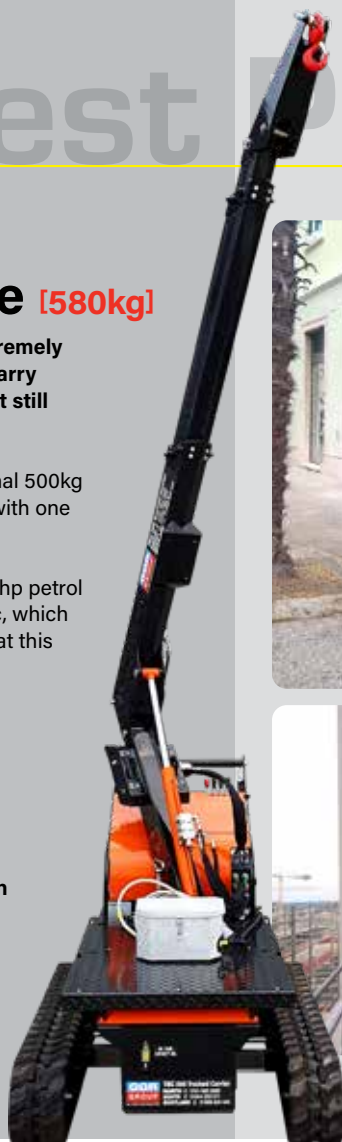
The TMC 060 Mini Tracked Carrier is an extremely compact and ergonomic tracked pick and carry crane, able to fit in the tightest of spaces yet still boasts a lifting power of 580kg.

Featuring +/- 25° boom rotation and an optional 500kg winch this machine is perfect for teaming up with one of our glass or stone vacuum lifters.

The TMC 060 also features either a Honda 11.7hp petrol engine or can be powered by 110/220v electric, which is perfect for working in the enclosed areas that this mini machine excels in.

Key Features

- Capacity: 580kg
- Max hook height: 4.25m
- Max outreach: 3.01m
- Compact and ergonomic tracked crane
- 25° left & 25° right of centre boom rotation
- Powered by Honda 11.7hp petrol engine
- Optional 500kg winch
- Optional 110/220v electric option



Technical Specifications

Maximum capacity	capacity:	580kg x 1.3m
Maximum outreach	outreach:	3.01m
Maximum hook height	height:	4.25m
Slewing angle	angle:	25° left + 25° right
Weight	crane:	720kg + 200kg ballast, 30kg electric motor, 28kg optional winch
Traction system	speed: gradeability: max pressure:	0-2km/h 20° 0.25kg/cm²
Engine	fuel: max power: max torque: tank capacity:	petrol 8.7kw/11.7Hp 26.5Nm 6 litres
Standard equipment	standard:	50° crane rotation, extensible crawler, two speed crane, N°2 lifting connections, electrohydraulic limiting device
Optional equipment	optional:	Radio remote control, searcher hook, 500kg hydraulic winch, lowered hook connections, working LED light, electric option (2.2Kw 110/220V with inverter), low marking rubber tracks, loading ramps, green oil



The TMC 060 boom can rotate 25° left and 25° right of centre

Crane Technology



The maximum hook height of the TMC 060 is 4.25m with the standard hook, but this can be extended slightly as shown here with the optional searcher hook.

Includes a handy folding platform for the operator to stand on



The compact nature of the TMC 060 allows access to the narrowest of areas

Tracks Closed: 780mm
Tracks Open: 1100mm



The TMC 060 Pick & Carry features a boom safety pin to prevent accidental slewing.



The controls of the TMC 060 Pick & Carry Crane are simple to use with everything in easy reach for the operator.

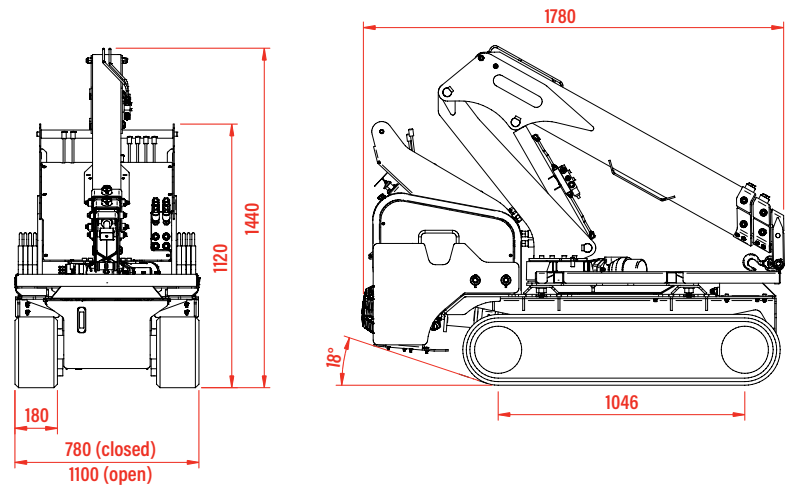


Featuring two versions of hooks, the standard hook as shown here or the alternative searcher hook.



The petrol powered reliable Honda GX390 engine of the TMC 060 is electric start for ease and convenience.

Technical Data (mm)



Rated Loads

