

Glass Vacuum Lifters

Bestseller Built For Safe

P11104 Intelli-Grip Dual Circuit [320kg]

This bestselling glass vacuum lifter is a convenient tool for lifting glass, metal, ceramics and other non-porous materials. The P11104 enables users to quickly manoeuvre loads into position with its 90° manual left & right rotation and 90° manual tilt.

The P11104 vacuum lifter now includes innovative Intelli-Grip technology as standard. This pioneering safety feature monitors vacuum lifter performance, carrying out multiple diagnostics and communicating them live on a colour LCD screen. This allows the operator to determine issues such as leak rate, battery life and current lifter mode in use, but also serves as a diagnostic system for the use of the equipment.

Engineered and tested for its reliability, safety and durability, the P11104 lifter comes with a 320kg lifting capacity and on-board power with a rechargeable battery, so there are no tricky cords to deal with during operation.

An optional short hook (hire only) is also available when fitting glass under soffits or overhangs.

Key Features

- Capacity: 320kg
- Dual circuit vacuum system with reserve tank, non-return valve and vacuum gauge for each circuit
- 90° manual tilting from vertical to horizontal
- 90° manual left and right lockable rotation
- Integral maintenance-free vacuum pump
- 12v rechargeable battery with integral 110v or 240v charger and battery energy gauge
- On-board Intelli-Grip control panel



Technical Specifications

| | | |
|---|----------------------|---|
| Safe working load (smooth, clean surface at 60% vacuum) | capacity: | 320kg |
| Number of suction cups | cups: | 4 |
| Suction cup | description: | black rubber, not abrasion resistant, heat resistant up to 100°F |
| Suction cup diameter | diameter: | 305mm |
| Suitable for lifting | material properties: | gastight / non-porous |
| | surface: | smooth |
| | example: | glass, plastic boards, ceramic plates, sheet metals, coated boards |
| Weight of lifter | approx: | 44kg |
| Depth of lifter | depth: | 230mm |
| Rotation | rotation: | 90° manual left & right lockable |
| Tilt | tilt: | 90° manual |
| Vacuum system | dual circuit: | 1 pump, 2 vacuum reserve tanks |
| Voltage | pump: | 12v DC from rechargeable battery |
| | battery charger: | 110v/240v 50/60Hz single phase factory selectable |
| Optional accessories | optional: | short hook (eye bolt - hire only), radio remote control, curved pads (270kg capacity), stone pads (270kg capacity), low marking pads, heat resistant pads |

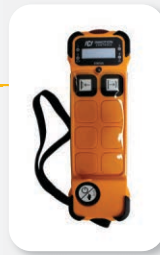


Monitor this machine with the WPG Intelli-Grip app

ety



Optional radio remote control



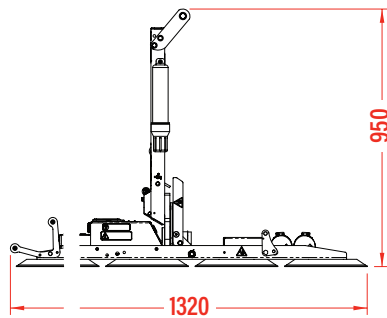
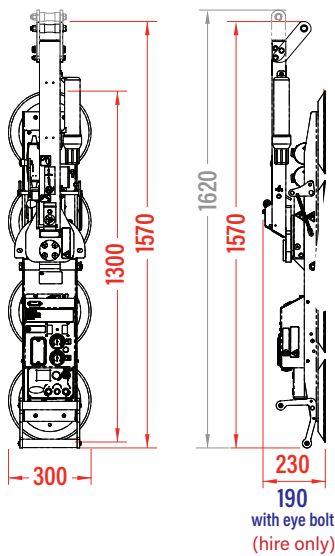
Reference Code
VGL11 IG



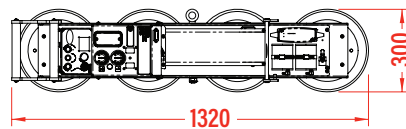
The Intelli-Grip technology monitors vacuum lifters in real-time.

P11104 "Four-In-Line" Dual Circuit

Technical Data (mm)



Optional short hook (eye bolt) upgrade (hire only)



N.B. No rotate or tilt with short hook (eye bolt)

Lift Bar Option - 635kg

