

Slimline & Portable Cladding Lifters

Mini-Clad [400kg]

One of the lightest and slimmest models in our range, the dual circuit Mini-Clad is the industry's most powerful 'configuration-free' cladding lifter for speedy installation on site.

This compact lifter is quick to set up and offers fuss-free lifting thanks to its unique quad-pad suction frame. An extra-safe dual circuit vacuum system provides powerful, trustworthy lifting up to 400kg and can comfortably lift vertical wall panels up to 18 metres, horizontal panels up to 8 metres and roof panels up to 5 metres long.

Boasting 90° tilt and 360° rotation for effortless installation, the Mini-Clad is compatible with Liffey Crane Hire's range of mini cranes and pick and carry cranes. This lifter can also be fitted to a telehandler or fork lift using our Fork lift Attachment.

Key Features

- Capacity: 400kg
- Suitable for vertical wall panels up to 18m, horizontal wall panels up to 8m and roof panels up to 5m
- Dual circuit vacuum system with vacuum gauge, reserve tank and non-return valve for each circuit
- 90° manual tilt
- 360° manual continuous lockable rotation
- 110/240v external charger system
- Audio-visual low vacuum warning
- On-board control panel and suction release
- Securing chains supplied as standard with fork lift adaptor

Manual 360° continuous lockable rotation



Manual 90° tilt

Technical Specifications

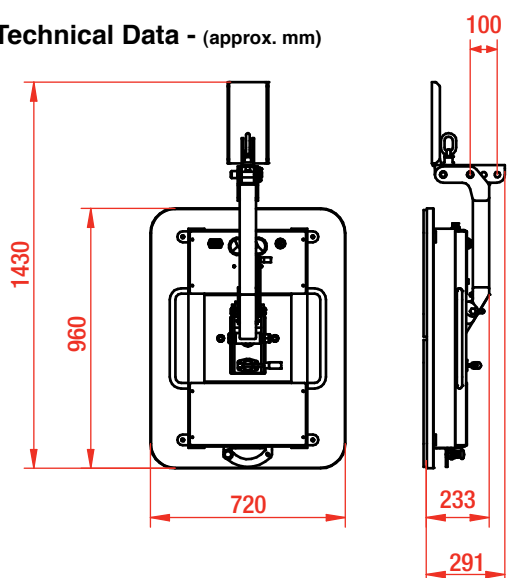
Safe working load	capacity:	400kg
Number of suction cups	cups:	4 within 1 x 960mm x 720mm pad
Maximum panel length	horizontal: vertical: roof: ceiling:	8 metres 18 metres 5 metres n/a
Suction cup	description: approx dimensions:	closed cell foam seal 960mm (l) x 720mm (w)
Suitable for lifting	materials:	composite sandwich panels, (PUR, EPS, mineral wool). other materials possible, subject to testing. airtight, non-porous and not covered by protective film.
Weight	lifter: fork lift adaptor:	100kg 80kg
Rotation	rotation:	360° manual continuous lockable
Tilt	tilt:	90° manual
Vacuum system	dual circuit:	2 pumps, 2 vacuum reserve tanks
Voltage	pump: battery charger:	2 x 12v (24v) DC from rechargeable batteries 110v/240v external charger system
Standard accessories	standard:	adjustable lift bail, external charger
Optional accessories	optional:	secondary safety straps, foldable fork lift attachment

Adding Lifter



Mini-Clad suction pad
960mm (l) x 720mm (w)

Technical Data - (approx. mm)



Technical Data Fork Lift Attachment - (approx. mm) Capacity: 500kg

