

# Flexible Robotic Manipu

## GL-UMC600 Glazing Manipulator Head [600kg]

Delivering the ultimate combination of reach and precision engineering, the GL-UMC600 is a state-of-the-art robotic attachment designed to work in conjunction with our UNIC spider crane range.

The GL-UMC600 robotic head is an excellent device for lifting and manipulating large glass units weighing up to 600kg. When the GL-UMC600 is attached to a compact mini crane, customers have the added advantage of extended boom reach for easy glazing at height.

The highly flexible GL-UMC600 is designed to attach directly to the UNIC crane's boom and is independently powered with electric actuators that allow precise movement of glass loads. This attachment comes with 360° continuous rotation, 35° head slew left and right, 120° tilt and can be operated via its own radio remote control.

### Reference Code

VGL103D



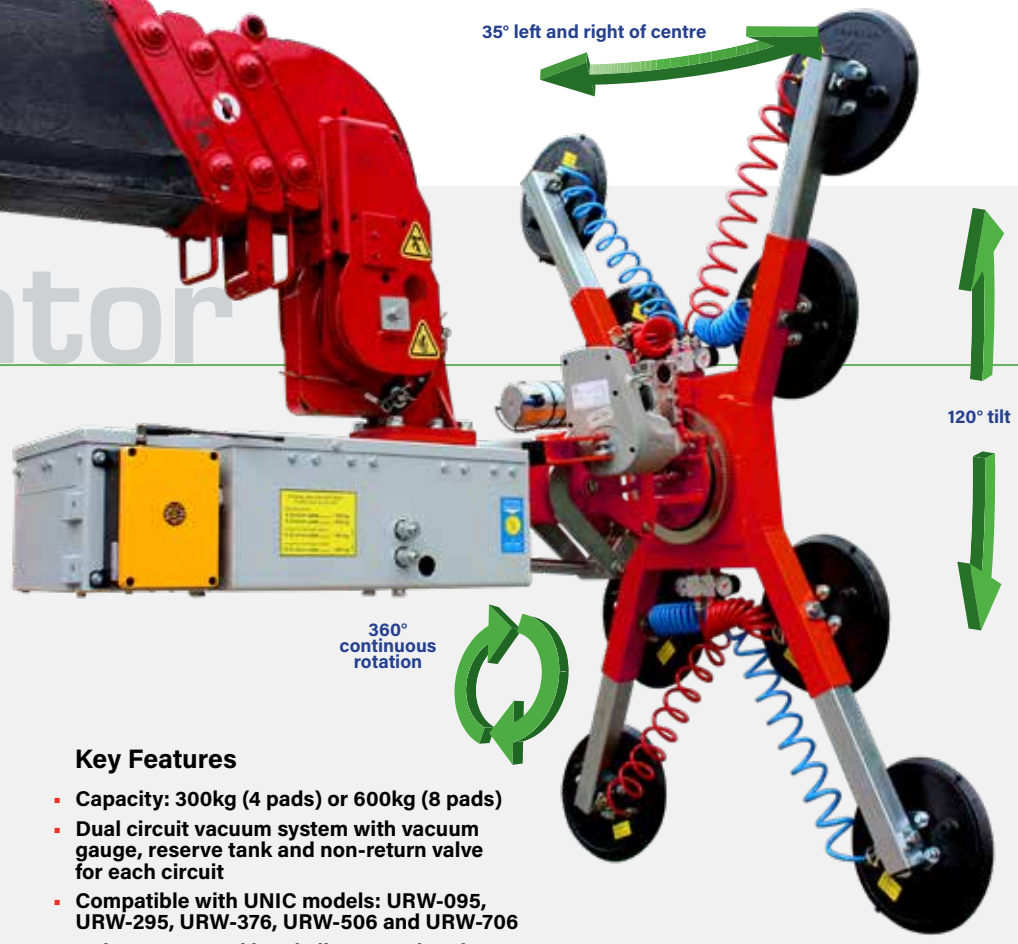
Radio remote control as standard



### Technical Specifications

<b>Safe working load</b>	capacity:	300-600kg depending on configuration
<b>Suitable for lifting</b>	material properties: surface: example:	gastight / non-porous smooth glass, plastic boards, ceramic plates, sheet metals, coated boards
<b>Weight</b>	approx:	145kg
<b>Depth</b>	depth:	1250mm
<b>Length</b>	length:	850-1770mm
<b>Height</b>	height:	750-1180mm
<b>Number of suction cups</b>	cups:	4 or 8 depending on configuration
<b>Powered head tilt</b>	powered head tilt:	120°
<b>Powered pad frame rotation</b>	rotation:	360° continuous
<b>Powered head slew</b>	left & right:	35° left & right
<b>Vacuum system</b>	dual circuit:	2 pumps, 2 vacuum reserve tanks
<b>Power requirements</b>	head and vacuum:	On-board 24v battery pack powers both robotic head and vacuum system operation. Rechargeable by 110/240v charger, spare battery included for quick change
<b>Standard accessories</b>	standard:	Radio remote control, four extension arms with four pads, battery gauge, green "safe to lift" light, external battery pack and charger,
<b>Optional accessories</b>	optional:	Curved frame (available on request)

**Note:** For individual rated loads please see our UNIC mini cranes section.

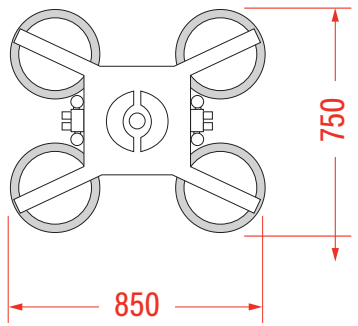


**Key Features**

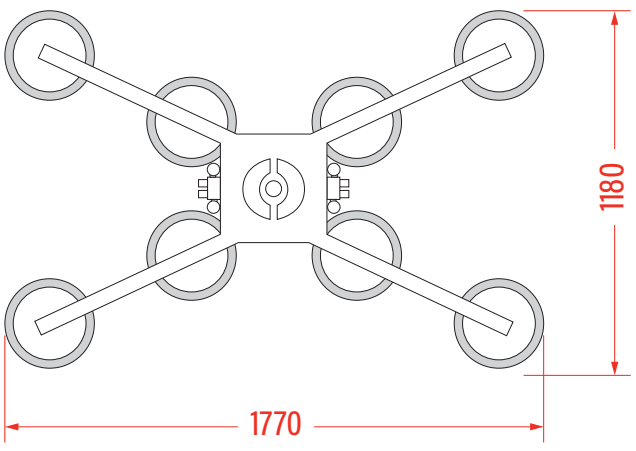
- Capacity: 300kg (4 pads) or 600kg (8 pads)
- Dual circuit vacuum system with vacuum gauge, reserve tank and non-return valve for each circuit
- Compatible with UNIC models: URW-095, URW-295, URW-376, URW-506 and URW-706
- Unique, patented head allows a unit to be manipulated with ease through:
  - 35° left and right of centre
  - 120° tilt
  - 360° continuous rotation
- Audio-visual low vacuum warning
- Extension arms available for lifting larger loads
- Power supply: 24V rechargeable battery with spare quick change battery
- Weight: 145kg



**Technical Data (mm)**



**300kg capacity  
(4 pads)**



**600kg capacity  
(8 pads)**