

Glass Vacuum Lifters

Power Tilt For Larger G

Hydraulica 1200 [1200kg]

The Hydraulica 1200 is designed to make handling heavier glass units safe and easy.

A huge dual circuit capacity of 1200kg sits alongside powered 90° hydraulic tilting and 270° manual rotation in the Hydraulica 1200. This fully-featured lifter also includes a cable remote control for suction application/release and tilting.

A new version of the Hydraulica 1200 is now available, which features twin ram cylinders for smoother powered tilting, and an enclosed control panel.

Key Features

- Capacity: 1200kg
- Dual circuit vacuum system with reserve tank, non-return valve and vacuum gauge for each circuit
- Powered hydraulic 90° tilt from vertical to horizontal
- Manual 270° lockable rotation
- Two or four on-board maintenance-free vacuum pumps
- 12v rechargeable battery with integral 110v or 240v charger and battery energy gauge
- Audio-visual low vacuum warning
- Cable remote control as standard
- Individual pads can be isolated to accommodate irregular shapes (reduces safe working load)
- Extension arms for large loads



Technical Specifications

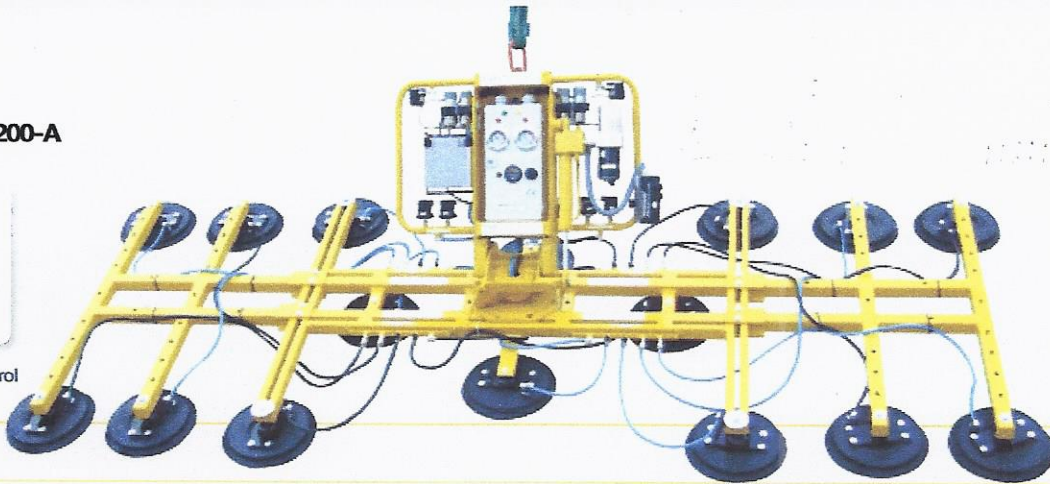
Safe working load <i>(smooth, clean surface at 60% vacuum)</i>	capacity:	1200kg*	900kg	600kg
Number of suction cups	cups:	16	12	8
Suction cup	description:	black rubber, not abrasion resistant, heat resistant up to 100°F		
Suction cup diameter	diameter:	330mm		
Suitable for lifting	material properties: surface: example:	gastight / non-porous smooth glass, plastic boards, ceramic plates, sheet metals, coated boards		
Weight of lifter	approx:	220kg	156kg	148kg
Depth of lifter	depth:	300mm		
Rotation	rotation:	135° manual left & right lockable		
Tilt	tilt:	90° powered hydraulic		
Vacuum system	dual circuit:	2 or 4 pumps, 2 vacuum reserve tanks		
Voltage	pump: battery charger:	12v DC from rechargeable battery 110v/240v 50/60Hz single phase factory selectable		
Standard accessories	standard:	cable remote control, extension arms with pads (increasing capacity from 600kg to 1200kg)		
Optional accessories	optional:	wheeled stand, radio remote control (1200-B only)		

* The capacity is 1200kg with extension arms and 16 pads fitted.

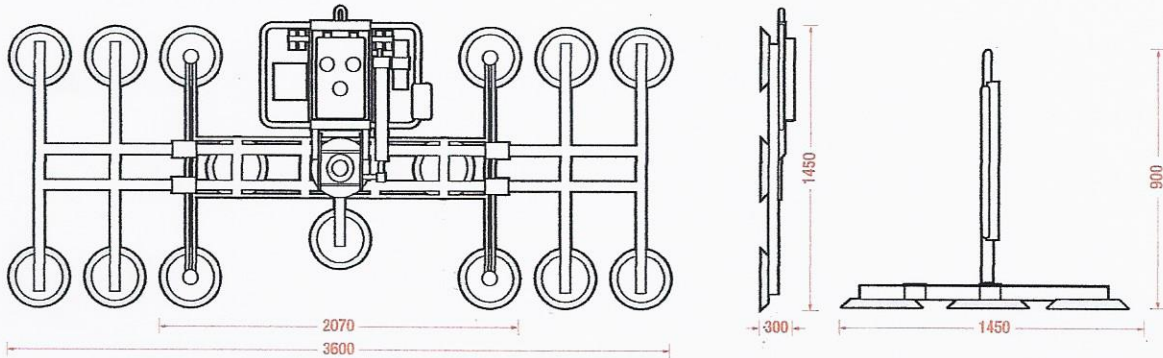
Hydraulica 1200-A



Cable remote control
as standard



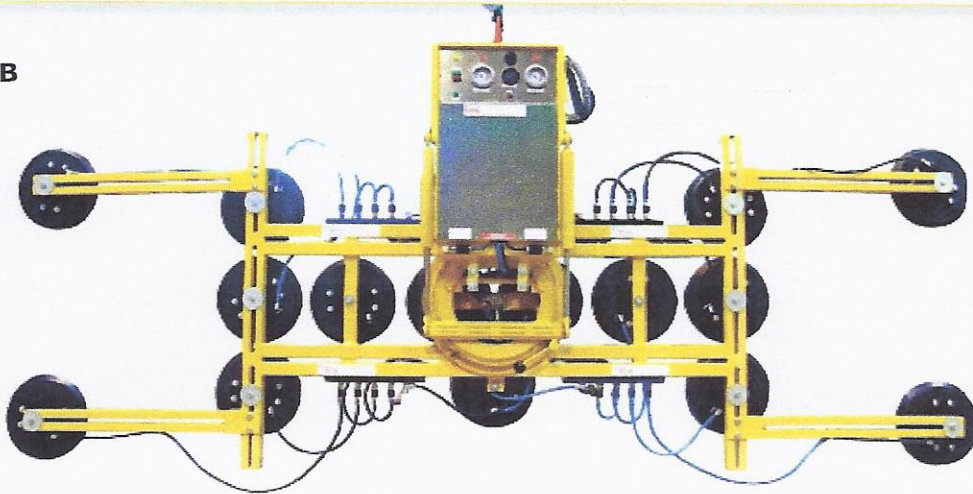
Technical Data - Hydraulica 1200-A (mm)



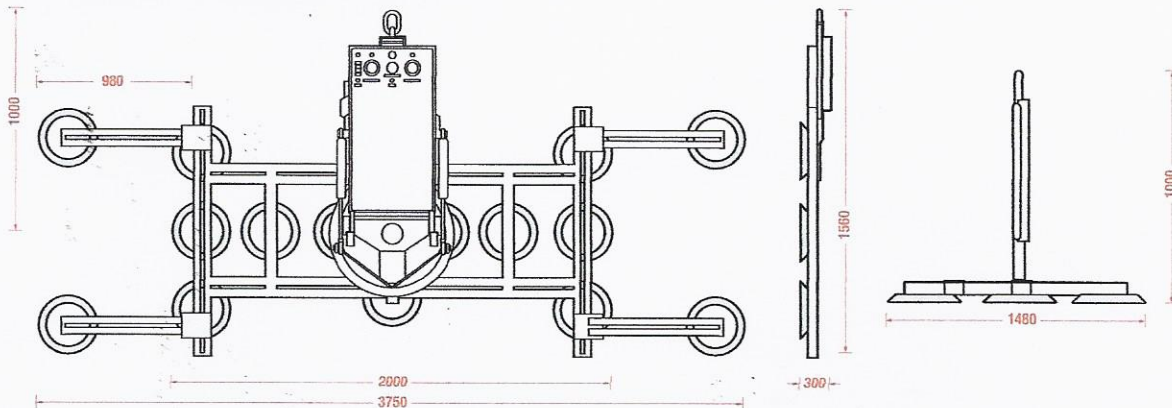
Hydraulica 1200-B



Optional radio remote



Technical Data - Hydraulica 1200-B (mm)



Hydraulica 1200