

# Geko 350 PV [350kg]

The Geko 350 PV is the big brother of our popular Geko 250 PV robot and boasts 350kg of lifting power for effortless installation of unitized glazing units and window elements.

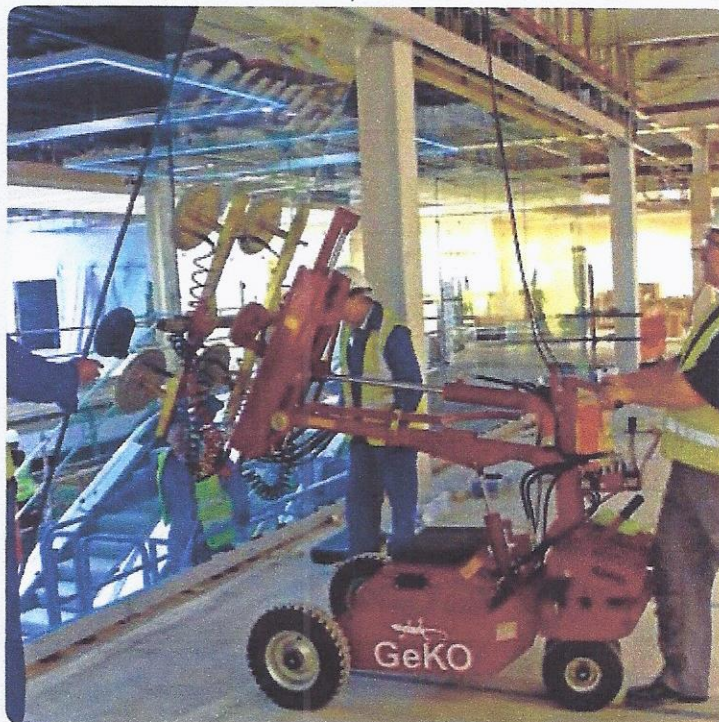
A must-have machine for glazing and fenestration contractors, the Geko 350 PV precisely manipulates glazing panels, curtain walling and window units into position. The dual circuit vacuum head rotates 180° left and right, tilts forward 20° and back 30° and also features 500mm of powered vertical movement.

A great device for interior or exterior glazing work, the Geko 350 PV can fit through a standard doorway thanks to its adjustable wheel width and removable counterweights. This pedestrian controlled robot is easy to operate, comes with a digital vacuum gauge, pendant remote control suction release, 100mm rods and optional 300mm extension rods for handling windows with deeper mullions.

## Geko 350 PV+ [175kg]

The Geko 350 PV+ has a horizontal lifting arm capable of picking up 175kg from ground level and lifting to a height of 1.8m. Loads can be tilted 180° and installed overhead to a maximum height of 3m.

The Electric PV and PV+ versions of these machines include powerful 12v batteries with 20% more capacity to aid driving operation.



### Technical Specifications

		Geko 350 PV	Geko 350 PV+
<b>Safe working load</b>	capacity:	350kg	175kg
<b>Suitable for lifting</b>	material properties: surface: example:	gastight / non-porous smooth glass, plastic boards, ceramic plates	
<b>Weight</b>	with counterweights: without counterweights:	600kg 350kg	635kg 385kg
<b>Maximum/minimum width</b>	width:	820mm (618mm)	820mm (618mm)
<b>Travelling length</b>	length:	2070mm	3100mm
<b>Travelling height</b>	height:	1265mm	1265mm
<b>Number of suction cups</b>	cups:	4	4
<b>Powered vertical head movement</b>	vertical movement:	500mm	500mm
<b>Powered head tilt</b>	powered head tilt:	30° forward and 20° backwards	180°
<b>Manual head sideshift</b>	manual head sideshift:	120mm	120mm
<b>Manual pad frame rotation</b>	rotation:	180° left & right	180° left & right
<b>Manual head slew</b>	manual head slew:	90° left & right	n/a
<b>Vacuum system</b>	dual circuit:	1 pump, 2 vacuum reserve tanks	1 pump, 2 vacuum reserve tanks
<b>Power requirements</b>	rechargeable battery: pump:	110v/240v charger 12v DC	110v/240v charger 12v DC

Geko 350 PV Electric	Geko 350 PV+ Electric
350kg	175kg
gastight / non-porous smooth glass, plastic boards, ceramic plates	
670kg 420kg	705kg 455kg
848mm	848mm
2170mm	3200mm
1255mm	1255mm
4	4
500mm	500mm
30° forward and 20° backwards	180°
120mm	120mm
180° left & right	180° left & right
90° left & right	n/a
1 pump, 2 vacuum reserve tanks	1 pump, 2 vacuum reserve tanks
110v/240v charger 12v DC	110v/240v charger 12v DC



Extension rods  
100mm and 300mm

Optional horizontal  
extension arm

Optional vertical  
extension arm

Hydraulic horizontal  
lifting arm pick-up

Offroad double  
tyres available

Optional puncture  
proof tyres

Geko 350 PV & 350 PV+



Electric option available for  
both the Geko 350 PV & PV+.



Optional curved glass pads  
available. Capacity 350/175kg.



180° manual pad  
frame rotation  
left & right

30° forwards and  
20° backwards  
powered head  
tilt (PV)  
or 180° (PV+)

500mm powered  
vertical head  
movement

90° manual head  
slew left & right



The Geko PV+ arm allows panels weighing up  
to 175kg to be picked up and tilted 180° for  
overhead and ceiling installation up to 3m high.



120mm manual  
head sideshift

Hydraulic arm  
up & down

**Reference Codes**

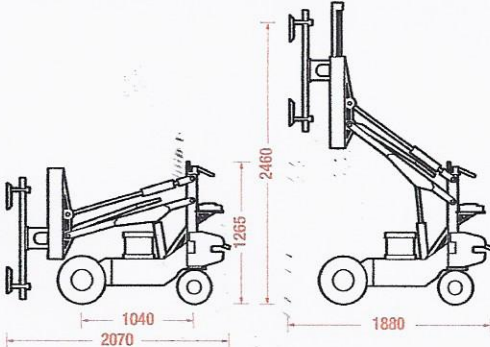
Geko 350 PV **GRG07**

Geko 350 PV+ **GRG09**

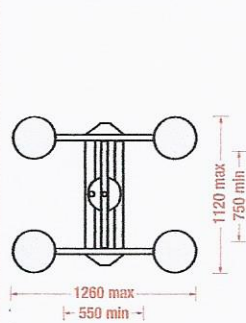
Geko 350 Electric PV **GRG11**

Geko 350 Electric PV+ **GRG12**

**Technical Data - 350 PV (mm)**



**Technical Data  
- Pad Frame (mm)**



**Technical Data - 350 PV+ (mm)**

